



AVK FLANGED TEE 45° (FFC)

712/1310-001

PN 10/16



AVK's range of fittings comprises a wide selection of variants with socket, tyton and flange connection. The fittings are made of ductile iron min. GJS-400 (GGG-40) and are epoxy coated according to DIN 30677-2 and GSK specifications - internally and externally.



Product description:

Flanged tee, type FFC according to EN 545. For water, wastewater and neutral liquids to max. 70°C

Standards:

- Designed according to EN 545
- Standard flange drilling to EN1092-2 (ISO 7005-2), PN 10/16



Characteristics:

- Ductile iron according to EN545
- Cast iron fitting GJS-400-15 (GGG-40)
- Fusion bonded epoxy coating in compliance with DIN 3476 part 1 and EN 14901, GSK guidelines internally and externally
- Available in DN80 – DN1200
- Kiwa product certificate K25396/02 (Kiwa guideline BRL-K772)



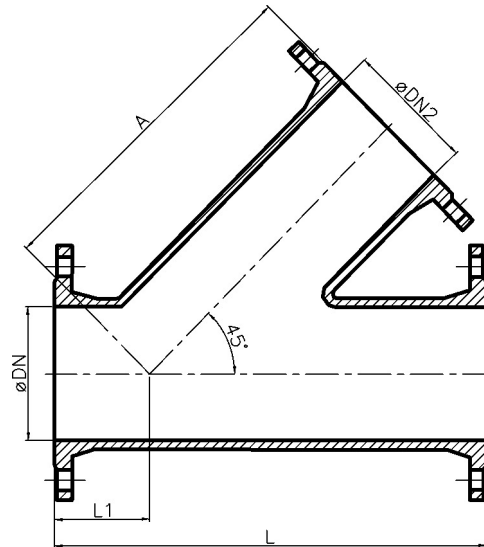
GSK-ID:

kiwa

Expect... **AVR**

The designs, materials and specifications shown are subject to change without notice due to the continuous development of our product programme.

COPYRIGHT©AVK GROUP 2021



Component list:

1. Fitting	Ductile iron
------------	--------------

Components may be substituted with equivalent or higher class materials without prior notification.

Reference nos. and dimensions:

AVK ref. no.	DN mm	DN2 mm	Flangedrilling	L mm	A mm	L1 mm	Theoretical weight/kg
712-0080-131	80	80	PN10/16	360	280	80	18
712-0100-131	100	100	PN10/16	400	310	90	20
712-0141-131	125	125	PN10/16	450	350	100	26
712-0150-131	150	150	PN10/16	500	390	110	32
712-0200-131	200	200	PN10	600	470	130	50
712-0250-131	250	250	PN10	700	550	150	83
712-0313-131	300	200	PN10	800	550	250	108
712-0300-131	300	300	PN10	800	670	130	117
712-0400-131	400	400	PN10	1000	800	200	177
712-0500-131	500	500	PN10	1200	850	350	405
712-0600-131	600	600	PN10	1300	1100	200	580