

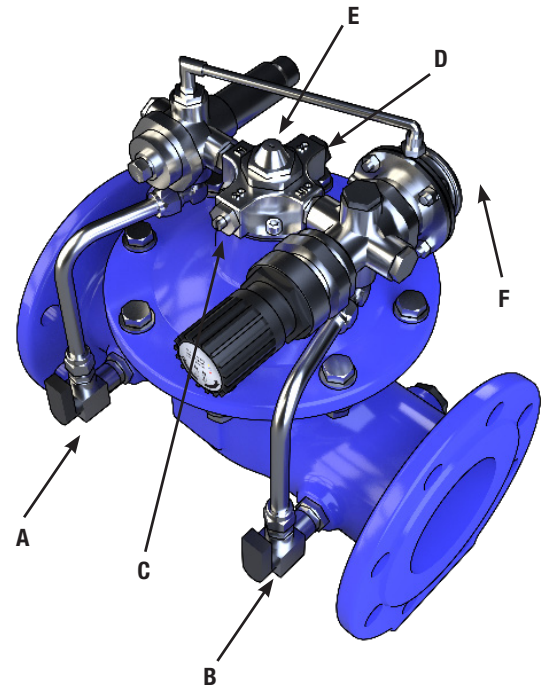


## AVK CONTROL VALVES FOR WATER

### SERIES 859 PRESSURE SUSTAINING VALVE

#### 1. CONTROL VALVE COMPONENTS

- A. Isolating ball valve / inlet
- B. Isolating ball valve / outlet
- C. Closing speed (CS)
- D. Opening speed (OS)
- E. Mechanical air vent
- F. Regulator handle



#### 2. START-UP

1. Ensure ball valves are open (A + B).
2. Commission pipework using water company standard procedure.
3. Bleed air from vent (E).
4. Turn pilot regulating handle (F) to achieve desired upstream pressure set point. Lock the handle by pushing it, if wanted.
5. Set regulation speed (C + D) to optimum accuracy. Valve is now set.

#### 3. RECOMMENDED INSTALLATION

1. Isolation valve
2. Air valve
3. Strainer
4. Control valve

