



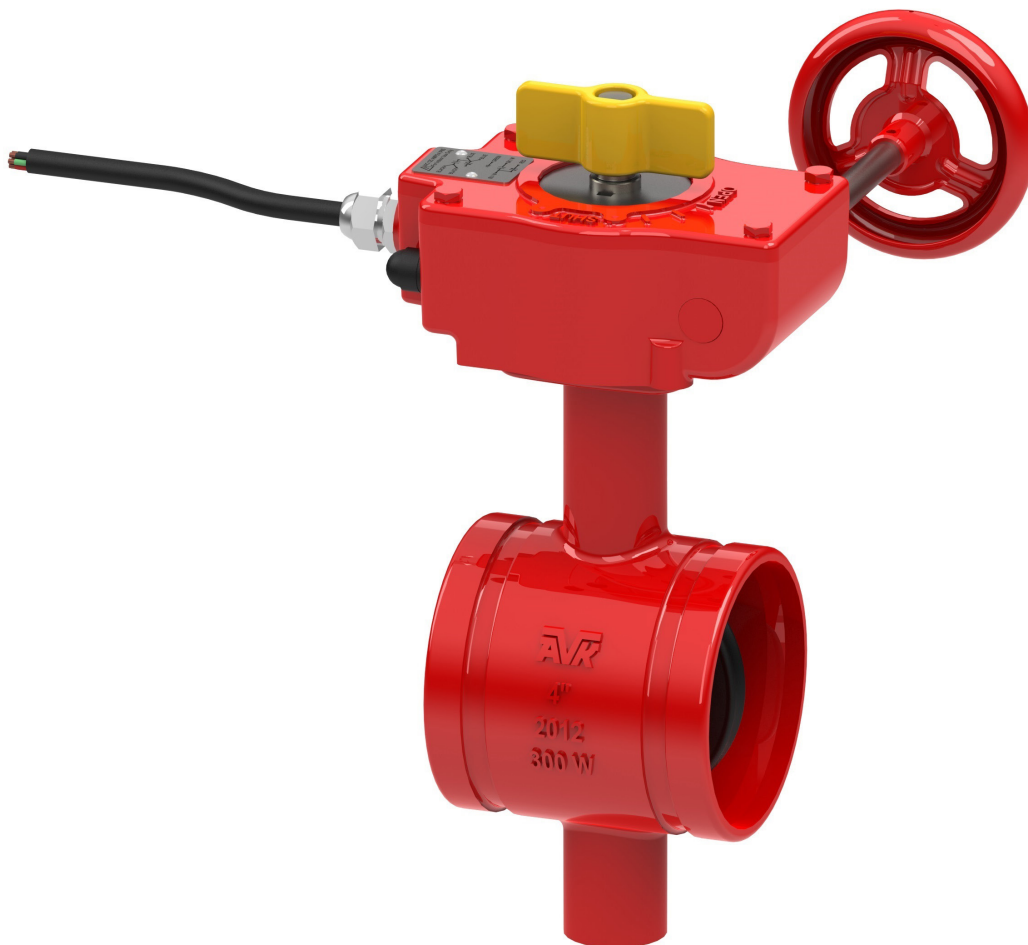
INSTALLATION, OPERATION AND MAINTENANCE MANUAL - ORIGINAL VERSION

AVK BUTTERFLY VALVES WITH GROOVED ENDS DN65-200

SERIES 815

TABLE OF CONTENT

1. Introduction	2
2. Exploded view and component list	2
3. Receiving and storage	3
4. Inspection prior to installation	3
5. Installation	3
6. Maintenance	3
7. Tools	4
8. Parts and service	4



AVK BUTTERFLY VALVES WITH GROOVED ENDS DN65-200

SERIES 815

1. INTRODUCTION TO UL/FM APPROVED IPS GROOVED END BUTTERFLY VALVES DN65-200

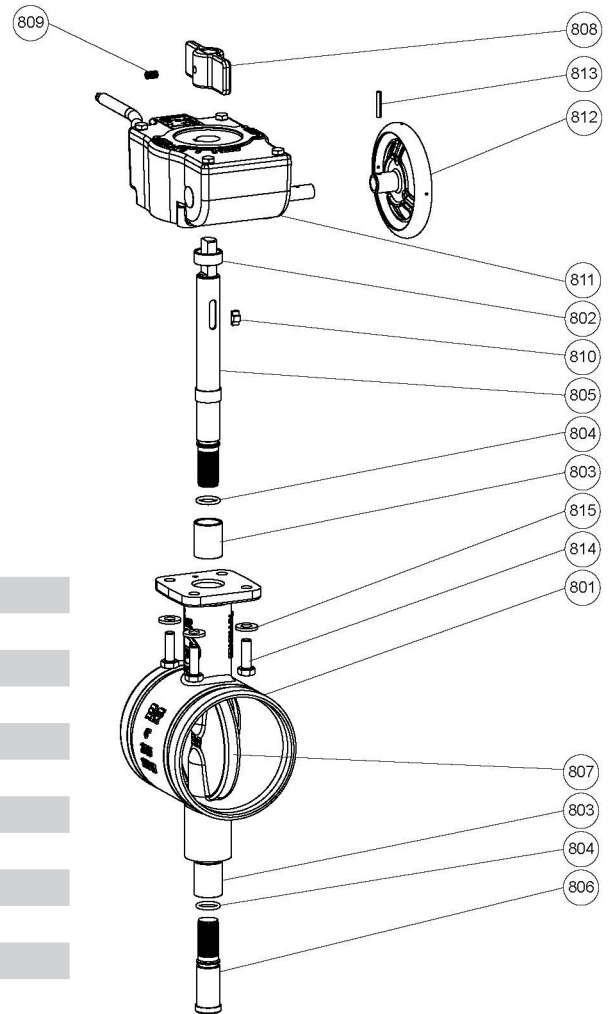
AVK series 815 grooved end butterfly valves are UL/FM approved. They are designed to be maintenance free and are for use in fire protection applications. They have a rated working pressure of 300 PSI/20.68 bar and are available in DN65-200. This manual will provide you with the information needed to properly install and maintain the valves, and to ensure a long service life.

2. COMPONENT LIST

- 801 Body
- 802 Short bushing
- 803 Long bushing
- 804 Shaft O-ring
- 805 Drive shaft
- 806 Stub shaft
- 807 Disc
- 808 Indicator flag
- 809 Indicator flag set screw
- 810 Shear key
- 811 Gearbox
- 812 Handwheel
- 813 Handwheel pin
- 814 Gearbox bolt
- 815 Gearbox washer

Item No.	Description	Material
801	Body	Ductile iron, ASTM A536
802	Short bushing	Metal PRFE cated steel/bronze
803	Long bushing	Metal PRFE cated steel/bronze
804	Shaft O-ring	NBR
805	Drive shaft	431 stainless steel
806	Stub shaft	431 stainless steel
807	Disc	EPDM encapsulated ductile iron
808	Indicator flag	Cast, iron, ASTM A126 Class B
809	Indicator flag set screw	304 stainless steel
810*	Shear key	Aluminum
811	Gearbox	N/A
812	Handwheel	Mild steel
813*	Handwheel Pin	304 stainless steel
814	Gearbox bolt	304 stainless steel
815	Gearbox washer	304 stainless steel

* AVK series 815 butterfly valves are designed to be maintenance free. In an accidental instance that the gearbox is over torqued, the shear key (810), or handwheel pin (813), may require replacement.



AVK BUTTERFLY VALVES WITH GROOVED ENDS DN65-200

SERIES 815

3. RECEIVING AND STORAGE

Inspect valves upon receipt for damage in shipment. Unload all valves carefully to the ground without dropping. Never lift a valve by the indicator flag or gearbox electrical cord. Valves should be stored in a clean and dry area until installed to prevent weather related damage. Do not expose the discs to sunlight or ozone for any extended period of time. Store the valves with the disc in the open position. For long term storage, the valves should be stored indoors.

4. INSPECTION PRIOR TO INSTALLATION

Make sure that all mounting surfaces and disc seats are clean and free of foreign materials. Check the gearbox bolting to the valve for any loosening during transit. If loose, tighten the mounting hardware. Open and close the valve to verify operation and proper stop adjustments for both the open and closed positions. Check that the valve rotation direction is correct, and close the valve prior to installation.

5. INSTALLATION

WARNING

The line must be isolated, depressurised and drained before installing/removing the valve to/from the system line. Failure to do so may cause pressure to be released, resulting in severe injury or death.

NOTE

Before closing a fire protection system control valve for maintenance or inspection, permission to shut down the affected fire protection systems must be obtained from the proper authorities and all personnel who may be effected by this decision must be notified.

It is recommended that automatic sprinkler systems are inspected, tested and maintained by a qualified inspection service.

Correct installation of the series 815 butterfly valve is important for proper operation. It may be installed with flow in either direction and in either horizontal or vertical applications. The couplings used with series 815 valves must be approved for fire protection service and installed in accordance with the manufacturers instructions. Series 815 valves may be installed with any schedule of pressure pipe or tubing that is listed or approved for fire protection. The gearbox can be mounted in 90 degree alternate positions for ease of installation.

An electrical connection diagram for the supervisory/ auxiliary switch connection is mounted on the exterior of the gearbox (see Fig. 1). Electrical and conduit connections are to be made in accordance with the authorities having jurisdiction and/or the National Electrical Code.

6. MAINTENANCE

The owner is responsible for the inspection, maintenance and testing of their fire protection system and devices in accordance with the applicable standards of the authorities having jurisdiction.

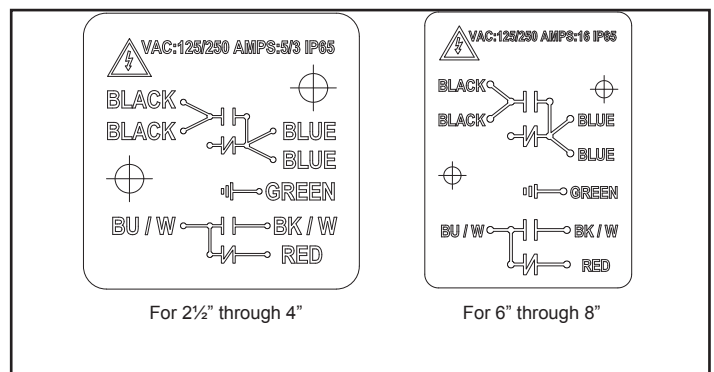


Fig. 1
Electrical wiring diagram

INSTALLATION, OPERATION AND MAINTENANCE MANUAL - ORIGINAL VERSION
AVK BUTTERFLY VALVES WITH GROOVED ENDS DN65-200
SERIES 815

7. TOOLS

The following tool requirements are for gearbox repositioning and stop adjustment. Please refer to coupling manufacturer documentation for other tool requirements.

808 Indicator flag set screw	All sizes	7/64" or 3 mm allen wrench
813 Gearbox mounting bolts	DN65-100 / 2½-4"	1/2" or 13 mm combination wrench
813 Gearbox mounting bolts	DN150-200 / 6-8"	11/16" or 17 mm combination wrench
Gearbox stop set screw	DN65-150 / 2½-6"	5/32" or 4 mm allen wrench
Gearbox stop set screw	DN200 / 8"	3/16" or 5 mm allen wrench
Gearbox stop jam nut	DN65-150 / 2½-6"	1/2" or 13 mm combination wrench

8. PARTS AND SERVICE

For information on parts and service for your area, contact AVK International A/S. Make a note of the valve model number and size, located on the valve, before making contact:

AVK International A/S

Bizonvej 1
DK-8464 Galten
T: +45 8754 2100
www.avkvalves.eu