



## AVK PENSTOCKS WITH NON-RISING SPINDLE

772 / HDPE slide

Closed frame for wall mounting, stainless steel 316, EPDM rubber

AVK Penstocks are available in a round or rectangular version with a soft-sealing rubber seal along four sides of the slide. They are double-turning up to and including 1000 x 1000 and are available in larger sizes, both double and single-turning. The penstocks have a non-rising spindle, a closed frame and are designed for wall mounting. The AVK penstocks for wall mounting are also available with rising spindle, and also suitable for installation in concrete. All penstocks in the extensive product range have a low leakage rate and a reliable operation.

### Product description:

AVK penstocks with non-rising spindle for water and waste water

### Standards:

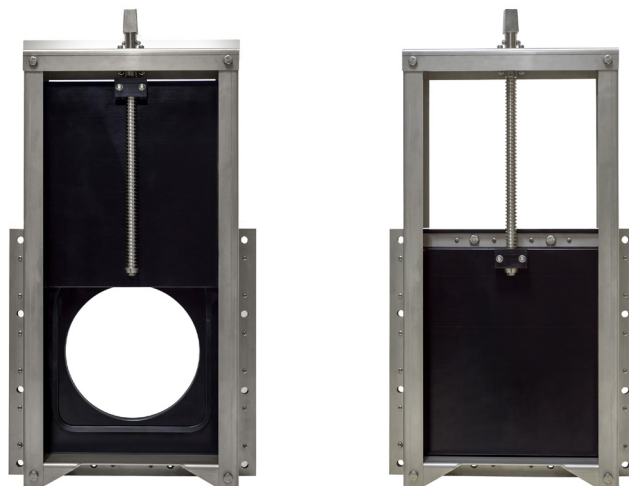
- Designed according to DIN 19569-4

### Features:

- Leakage rate less than max. permitted in DIN 19569-4 (class 5): 1.20 L / min. per meter of sealing surface.
- Closed frame design for easy wall mounting.
- The self-cleaning guide rails act in accordance with the procedure for HMWPE (high molecular weight polyethylene) process and reduce friction for smooth operation and durable sealing performance.
- Adjustable lip-shaped EPDM seal fitted to the frame.
- AISI 316 stainless steel frame and HDPE slide.
- All fasteners in stainless steel A2 or A4.
- Sealing and guide rails are completely shielded from frame anchoring.

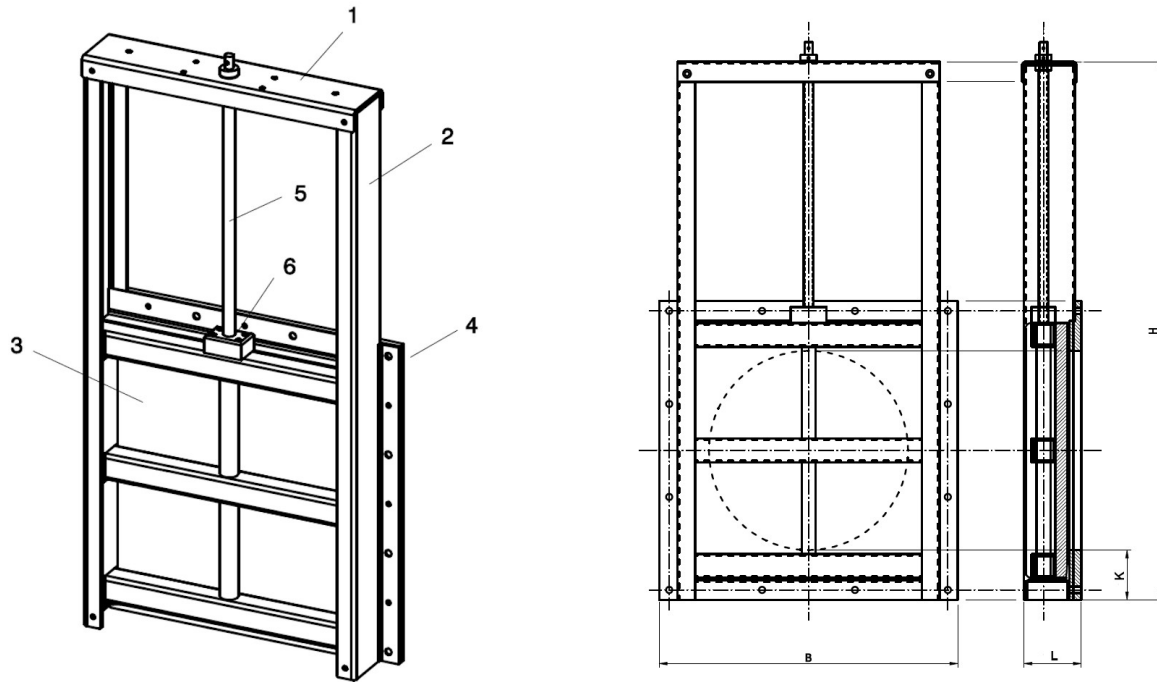
### Accessories:

- Handwheel operation or control with gearbox mounted on frame, handwheel on sloping or straight floor column
- Gearbox on straight floor column
- Electric, hydraulic or pneumatic actuator on straight or sloping floor column
- Adjustable wall brackets and wall sleeve



**AVK PENSTOCKS WITH NON-RISING SPINDLE****772 / HDPE slide**

Closed frame for wall mounting, stainless steel 316, EPDM rubber

**Component list:**

1. Bridge	Stainless steel AISI 316	2. Guide rail frame	Stainless steel AISI 316
3. Slide	Stainless steel AISI 316	4. Back plate	HDPE
5. Spindle	Stainless steel AISI 316	6. Spindle nut	POM

Components may be substituted with equivalent or higher class materials without prior notification.

**Reference nos. and dimensions:**

AVK ref. no.	DN	H mm	B mm	L mm	K mm	Theoretical weight / kg
970-210110-0000000	150	550	350	70	100	11
970-016010-1100011	200	650	400	70	100	13
970-016010-1100012	250	750	450	70	100	16
970-016010-1100013	300	850	500	70	100	18
970-016010-1100014	400	1150	650	125	125	55
970-016010-1100015	500	1350	750	125	125	75
970-016010-1100016	600	1550	850	125	125	90
970-016010-1100017	700	1750	950	125	125	110
970-016010-1100018	800	1950	1050	130	125	130
970-016010-1100019	900	2150	1150	130	125	155
970-016010-1100020	1000	2350	1250	130	125	180